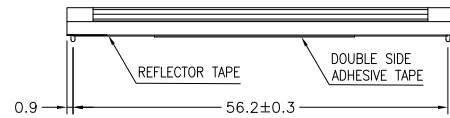
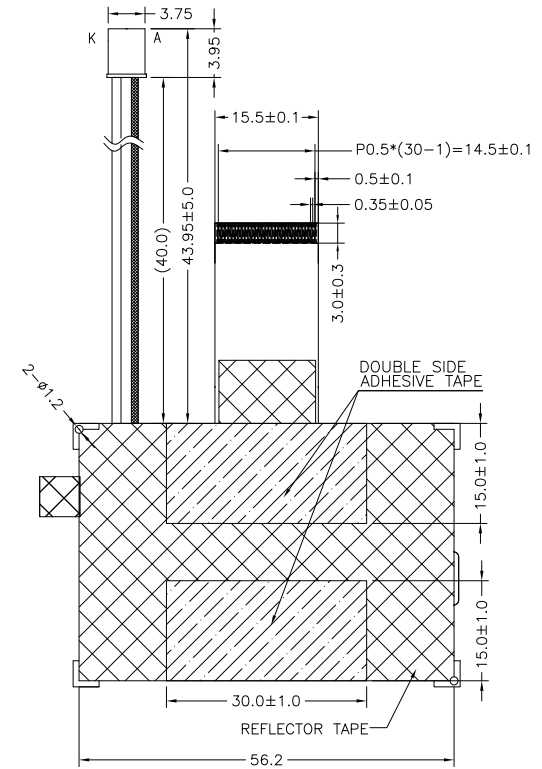
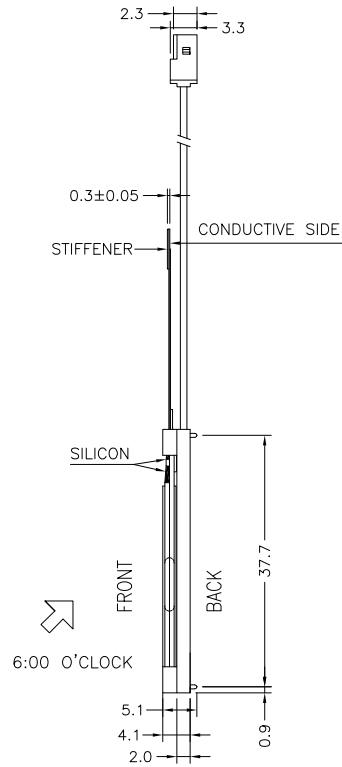
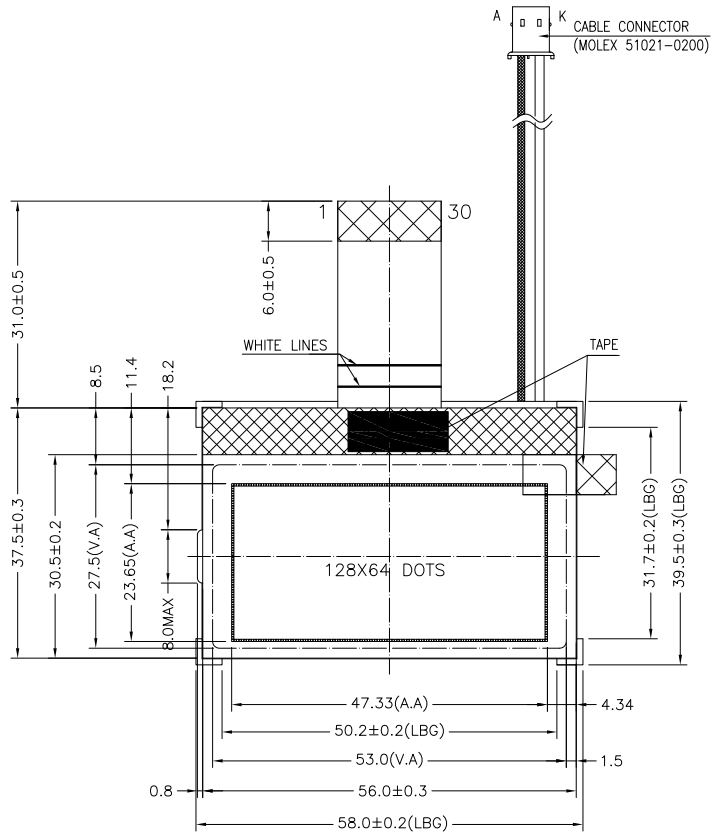
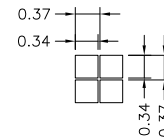


PIN DESCRIPTION	
PIN	SYMBOL
1	CS1B
2	RESET
3	A0
4	/WR(R/W)
5	/RD(E)
6	DB0
7	DB1
8	DB2
9	DB3
10	DB4
11	DB5
12	DB6
13	DB7
14	C86
15	PS
16	VSS
17	VDD
18	NC
19	NC
20	NC
21	NC
22	NC
23	VO
24	XV0
25	VG
26	NC
27	NC
28	NC
29	NC
30	NC




DISPLAY PATTERN



NOTES:

1. DISPLAY TYPE: FSTN, TRANSFLECTIVE, POSITIVE
2. OPERATING VOLTAGE: VDD=3.0V, VOP=8.3V
3. DRIVE METHOD: 1/65DUTY, 1/9BIAS
4. VIEWING DIRECTION: 6 O'CLOCK
5. DRIVER IC: ST7567-G4B
6. OPERATING TEMP.: -20°C ~ 70°C
7. STORAGE TEMP.: -30°C ~ 80°C
8. LED BACKLIGHT: 4-CHIP WHITE LED, If=80mA, Vf=2.9V~3.3V
9. THE SINGLE LAYER AREA OF FPC IS BENDABLE AND THE BENDING RADIUS MUST BE NOT LESS THAN 1.5MM
10. GENERAL TOLERANCE: ±0.3MM
11. ROHS COMPLIANT

 MULTI-INNO TECHNOLOGY CO., LTD.			
DRAWN BY:	CAROL	2021.07.27	MODULE P/N:
CHECKED BY:			MI12864R1-G
APPROVED BY:			DESCRIPTION:
VERSION NO:	01	UNIT: mm	GRAPHIC MODULE
		SHEET NO.: 1/1	

01	FIRST ISSUE	CAROL	2021.07.27
VER.	REVISED DESCRIPTION	REVISER	DATE